


# RIVER 450

Big Technology Starts FROM Small Holes




MODEL	River 450
Table travel (X, Y axes)	450 x 350 mm
Work table size	600 x 376 mm
Z axis travel	350 mm
W axis travel	450 mm
The maximum height (from table to guide)	380 mm
Max. workpiece weight	600kgs
Power input	According to local voltage
Maximum average	25A
Power capacity	3.8 KVA
Electrode diameter	0.1~3.0 mm
Machine net weight	1300kgs
Depth / Width / Height	1320x1620x2810mm

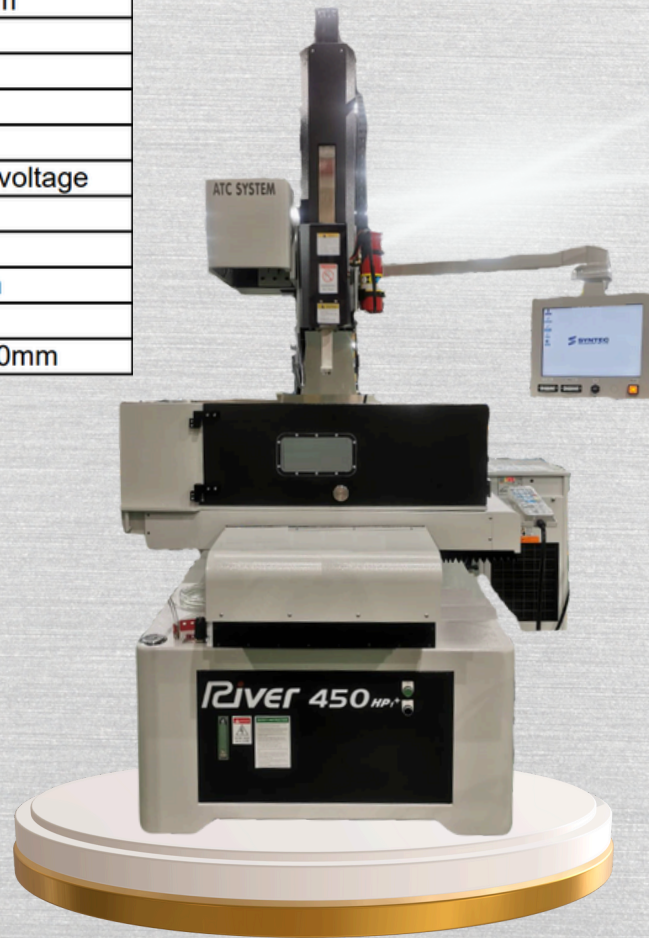
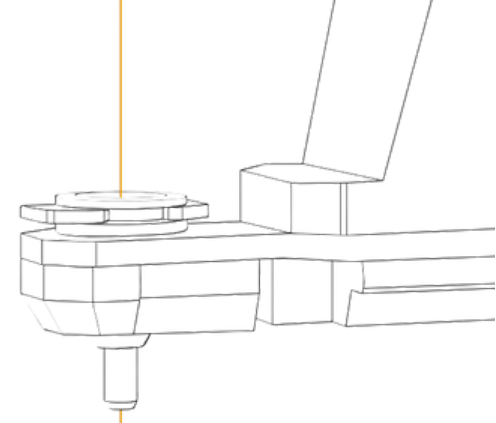
### Standard Accessories :

- 1.Tool box\*1pc
- 2.Ceramic guide cover \*1 pc
- 3.Ceramic guide 1.0MM \*1 pc
- 4.Brass tube 1.0MMX300MM \*10 pcs
- 5.PALLET PLATE \*1 SET
- 6.HEX WRENCH \*1 ET
- 7.RUBBER SEAL (SMALL) WITHOUT HOLE \*10pcs
- 8.HEXHEAD SCREW & BOLT \*5 SET
- 9.MACHINE PAD \*5pcs
10. STAINLESS SCREW M8x45 \*4pcs
11. FILTER \*1pc
12. HANDLE FOR FILTER \*1pc
13. SPARE PAINT \*2pcs
14. BS TYPE HOLDER\*1pc ,  
When order optional ATC(12), it comes standard with 3pcs
15. SHING NOZZLE \*1pc

 Due to continuous research and development, all specifications and design characteristics are subject to change without prior notice.

Fine pores realize vision and lead the future with wisdom

-  Simple and easy to operate
-  OCEAN independently develops CNC control system
-  Energy Saving and Redevelopment Practice ESG



### RIVER 450

CNC Drilling EDM (submerged type)